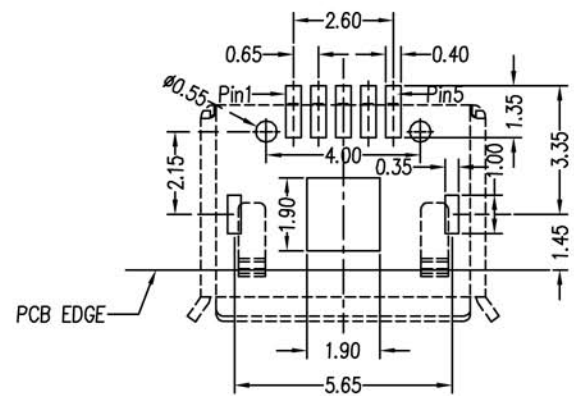
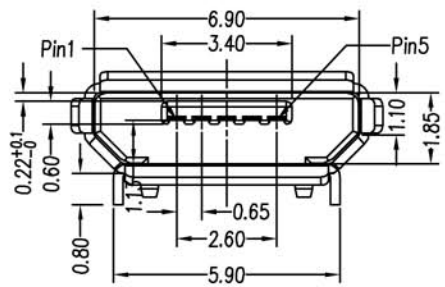
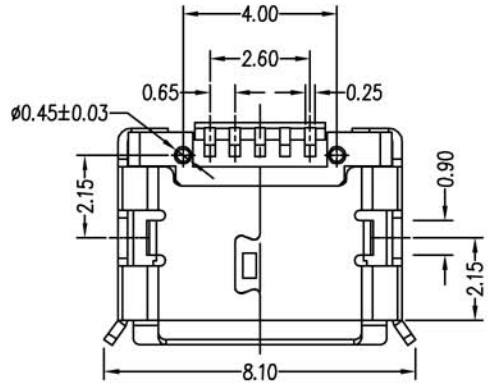
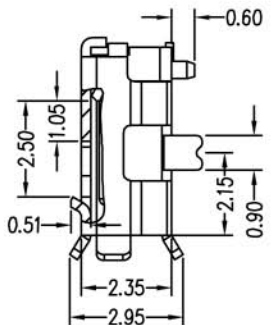
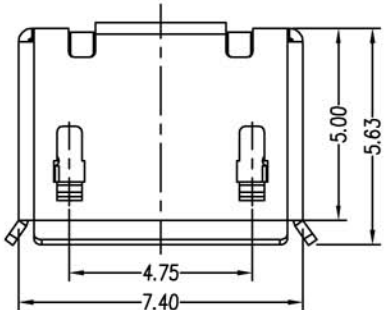
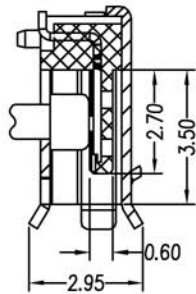
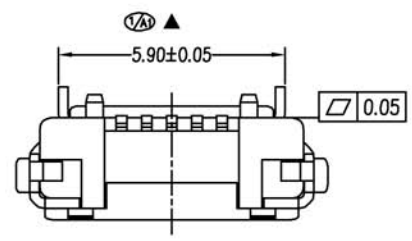


REV.	ECN NO	LOCATIONS	DESCRIPTION	DATE	REVISER	APPD



Note:

1. Material:
  - 1.1 Housing: High temperature thermoplastic with g.f,UL94v-0
  - 1.2 Contact: copper alloy,t=0.20mm
  - 1.3 Shell: copper alloy,t=0.25mm
2. Specification:
  - 2.1 Current rating: 1 A Max.
  - 2.2 Dielectric withstanding voltage: 100 V(ac) for 1 min.
  - 2.3 Contact resistance: 50 mΩ Max.
  - 2.4 Insulation resistance: 100 MΩ Min.
  - 2.5 Total mating force: 3.57 Kgf Max.
  - 2.6 Total unmating force: 1.0 Kgf Min.0.81~2.05 Kgf Min.after 10000 insertion/extraction cycles
  - 2.7 Temperature range: -30°C~80°C

Order Information:

1-MD05SMXXX-01  
 ① ② ③ ④ ⑤ ⑥ ⑦ ⑧ ⑨

- |                |           |                   |                  |
|----------------|-----------|-------------------|------------------|
| 1: Assy.       | 5: Style  | 7: Cotact plating | 8: Shell plating |
| 2: Series No.  | M: Smt    | 1: 1u"            | T: Tin           |
| 3: Contact No. | 6: Color  | 2: 3u"            | N: Nickel        |
| 05: 5 pos.     | B: Black  | 3: 5u"            | A: Au plated all |
| 4: P: Plug     | W: White  | 4: 15u"           | B: None          |
| S: Socket      | N: Nature | 5: 30u"           | ...              |

PART NO:	1-MD05SMXXX-01	MATERIAL:	SEE NOTE
MODEL NO:		FINSH:	SEE NOTE
UNIT:	mm	COLOR:	SEE NOTE
SIZE:	A4	DR:	
TOLERANCE UNSPECIFIED		CHK:	
.x	±0.38	APP:	
.xx	±0.25		
.xxx	±0.13		
ANG.	±2'		

No.	Name	Q'ty	Finish
3	Shell	1	N/A
2	Contact	5	N/A
1	Housing	1	N/A

TITLE: Micro usb 5s B Type Smt 插板(5.9)	
CUSTOMER DRAWING	
DWG NO:	A055
REV:	A
SCALE:	1:1
SHEET:	1/1